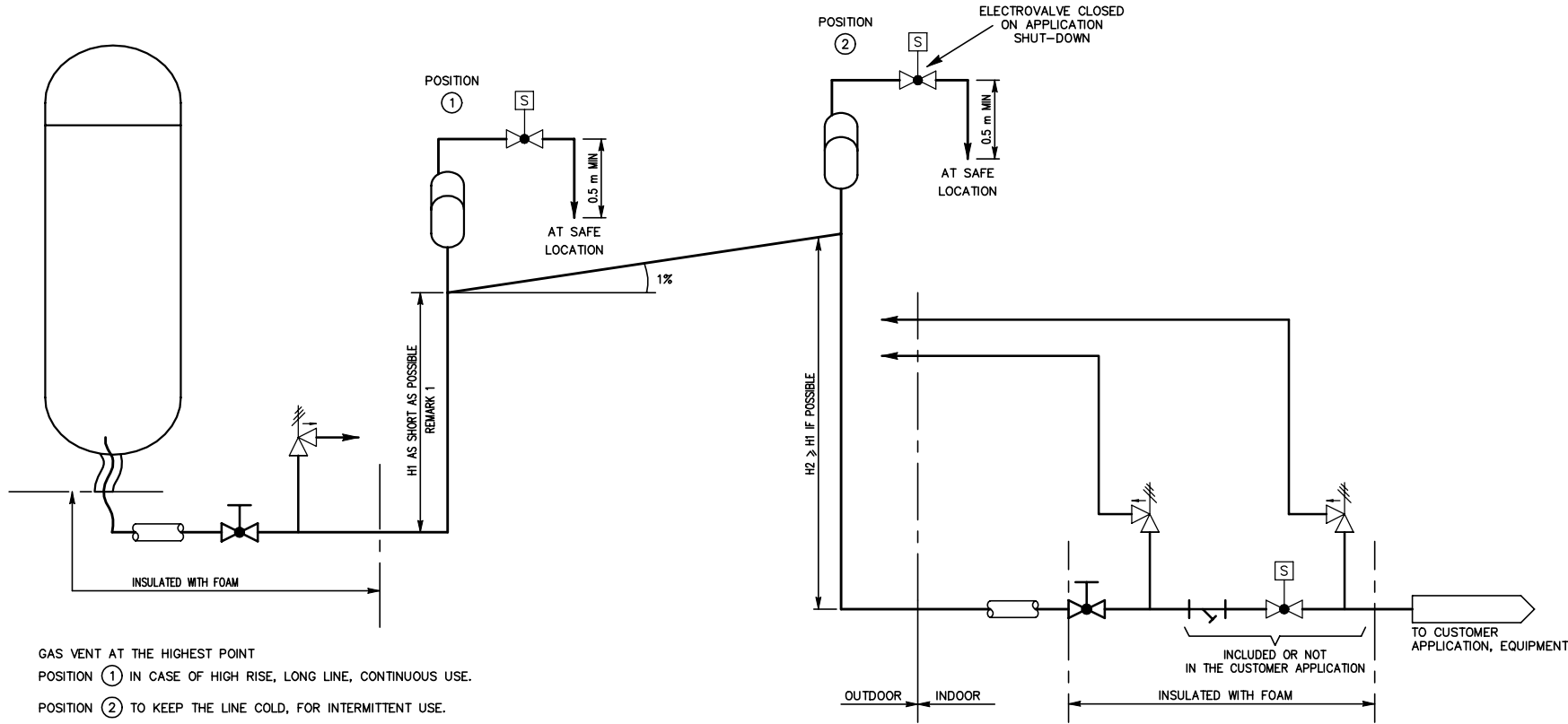


① GENERAL ISOMETRIC VIEW



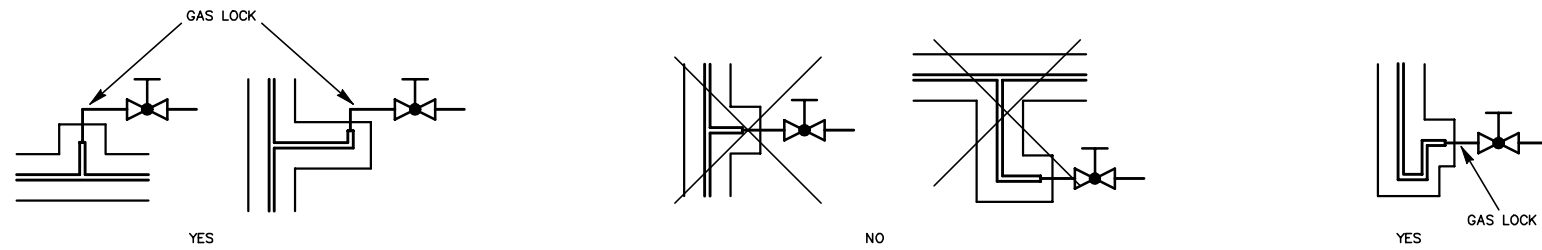
GAS VENT AT THE HIGHEST POINT
 POSITION ① IN CASE OF HIGH RISE, LONG LINE, CONTINUOUS USE.
 POSITION ② TO KEEP THE LINE COLD, FOR INTERMITTENT USE.

REMARK 1 : IDEAL SHAPE OF THE LINE WOULD BE IN "L".

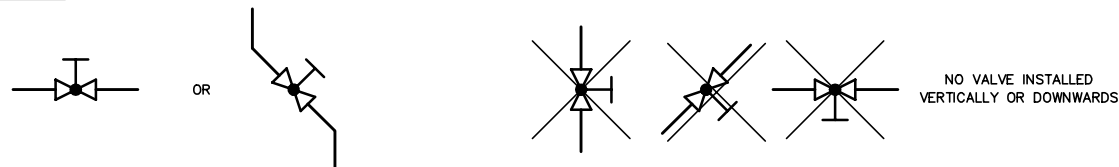
② CONNECTION TO A NON INSULATED END OR TO THE VALVE FOR QUICK COOL-DOWN

- ALLOW THE CREATION OF A GAS LOCK AND AVOID ICE BUILD-UP
 WELD CONNECTIONS ABOVE HORIZONTAL CENTRELINE

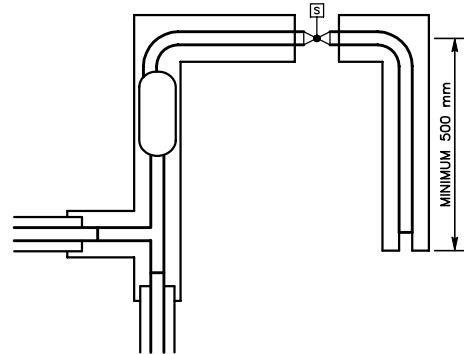
- "LOW POINT" OR "GAS LOCK" CAN BE
 INTEGRATED INTO VACUUM INSULATION



③ VALVES INSTALLATION

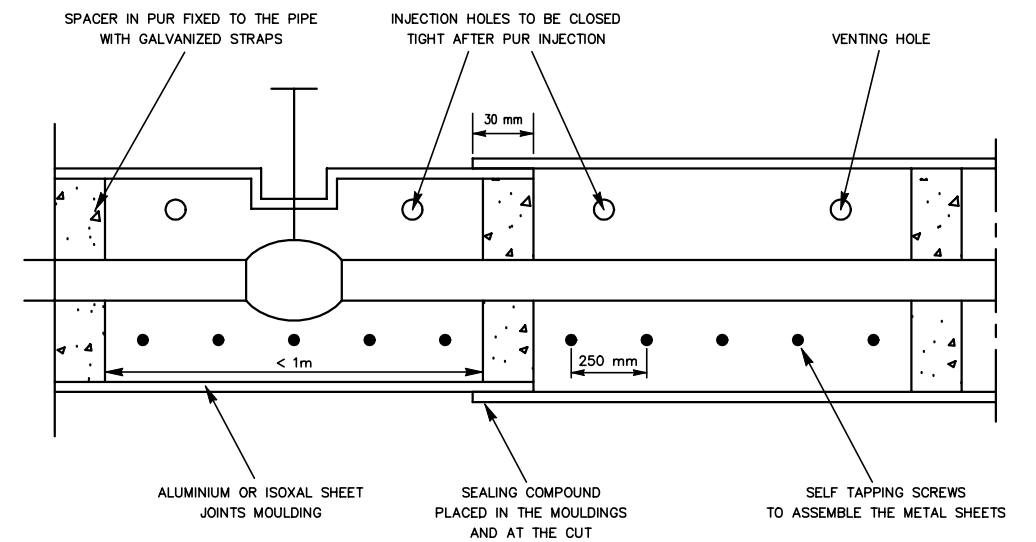


④ GAS VENT INSTALLATION

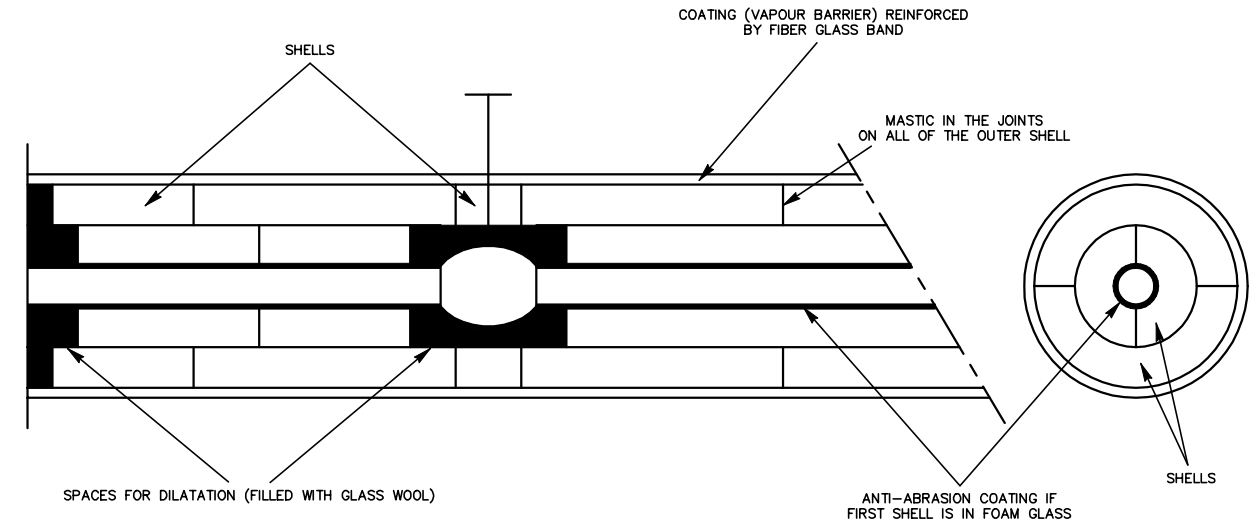


⑤ INSULATIONS (FOR VACUUM, SEE SUPPLIER DRAWINGS)

A - INJECTED PUR (POLYURETHANE)



B - FOAM IN SHELL



0	10/03/05	TVA/ALH	PRELIMINARY ISSUE	S. RUBAN	-
REV	DATE	DESSINE PAR DRAWN BY	MODIFICATIONS REVISIONS	VERIFIE PAR CHECKED BY	APPROUVE PAR APPROVED BY
STANDARD CRYOGENIC INSTALLATION			Ce document est la propriété de L'AIR LIQUIDE, 75 Qual d'ORSAY 75007 PARIS. Il est STRICTEMENT CONFIDENTIEL. Il ne peut être REPRODUIT ni TRANSMIS sans AUTORISATION écrite de L'AIR LIQUIDE.		
ENSEMBLE / PART CRYOGENIC LINE FOR LIN OR LC02 SUPPLY			This document is L'AIR LIQUIDE's PROPERTY. 75 Qual d'ORSAY 75007 PARIS. It is STRICTLY CONFIDENTIAL. It cannot be REPRODUCED neither TRANSMITTED without L'AIR LIQUIDE's AUTHORIZATION.		
TITRE / TITLE CRYOGENIC LINE INSTALLATION			 ALTEC EUROPE Equipment & Engineering		
ECHELLE SCALE	N° D'AFFAIRE JOB NUMBER	FMT TYP GROUP NBR	E_CRYO-04-EN-DRAW-202		