

a-borde



- SPECIFICATIONS
- INSTRUCTIONS
- MISC. SKETCH...

REV.

NO. SK 95-005

REV.

REV.

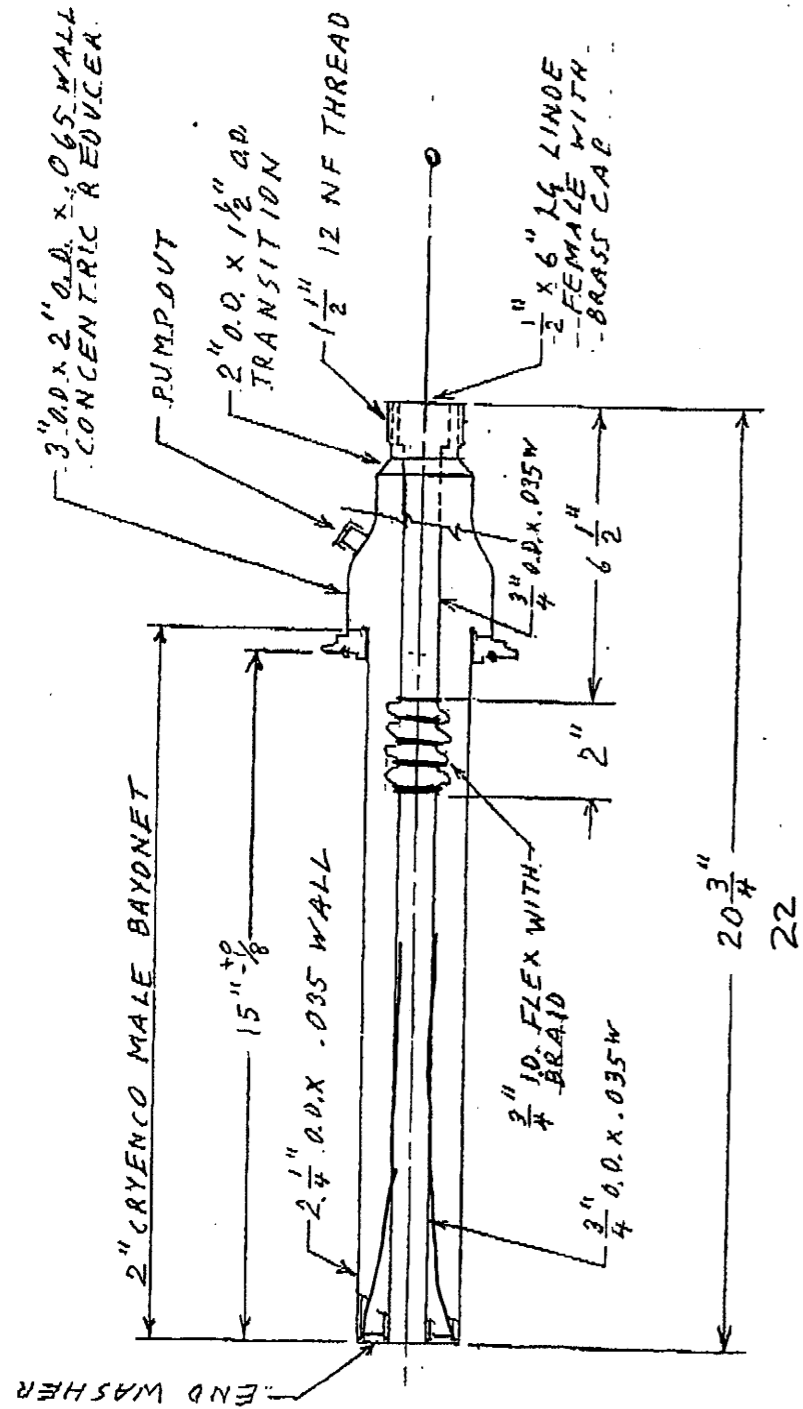
REV.

REV.

REV.

REV.

TITLE: - ADAPTOR 2" x 15" LG CRYENCO MALE
 x 1/2" x 6" LG LINDE FEMALE WITH BRASS CAP

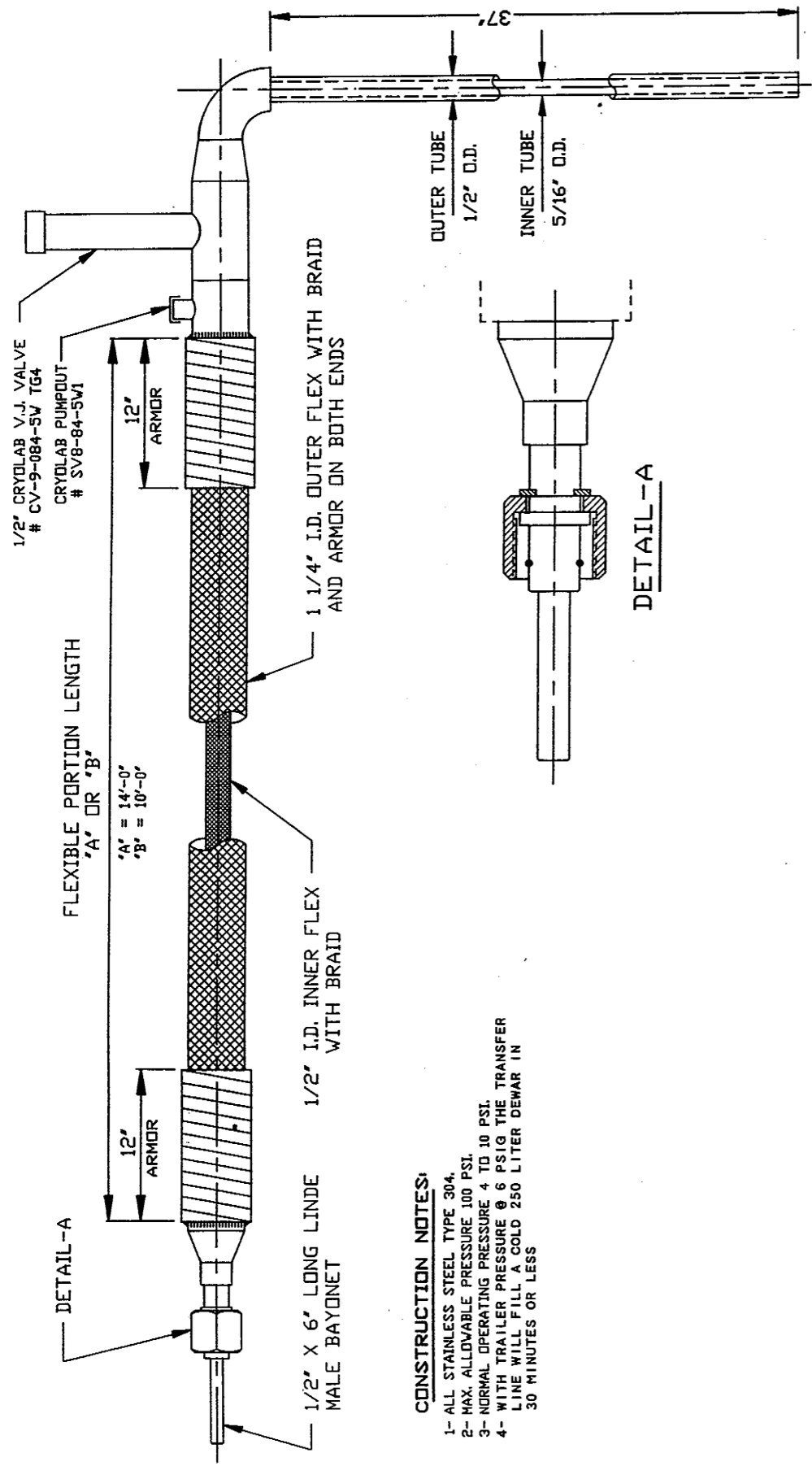


NOTE:
 1. ALL MATERIALS (EXCEPT BRASS CAP)
 TO BE TYPE 304 SST
 2. MAX. OPERATING PRESSURE 100 PSI

WRITTEN BY FD. O. DATE 10-20-95 APPROVED BY _____ SHEET 1 OF 1

This document contains confidential or proprietary information of AIRCO INDUSTRIAL GASES DIV. Neither the document nor the information herein is to be reproduced, distributed, used or disclosed, either in whole or in part, except as specifically authorized by AIRCO INDUSTRIAL GASES DIV., and must be returned promptly with completed material or quotation or upon request of AIRCO INDUSTRIAL GASES DIV.

REV.	DATE	REVISION	DWN	APP	REF. DWGS.



CONSTRUCTION NOTES:

- 1- ALL STAINLESS STEEL TYPE 304.
- 2- MAX. ALLOWABLE PRESSURE 100 PSI.
- 3- NORMAL OPERATING PRESSURE 4 TO 10 PSI.
- 4- WITH TRAILER PRESSURE @ 6 PSIG THE TRANSFER LINE WILL FILL A COLD 250 LITER DEWAR IN 30 MINUTES OR LESS

**TRAILER TO DEWAR
LIQUID HELIUM
TRANSFER LINE**

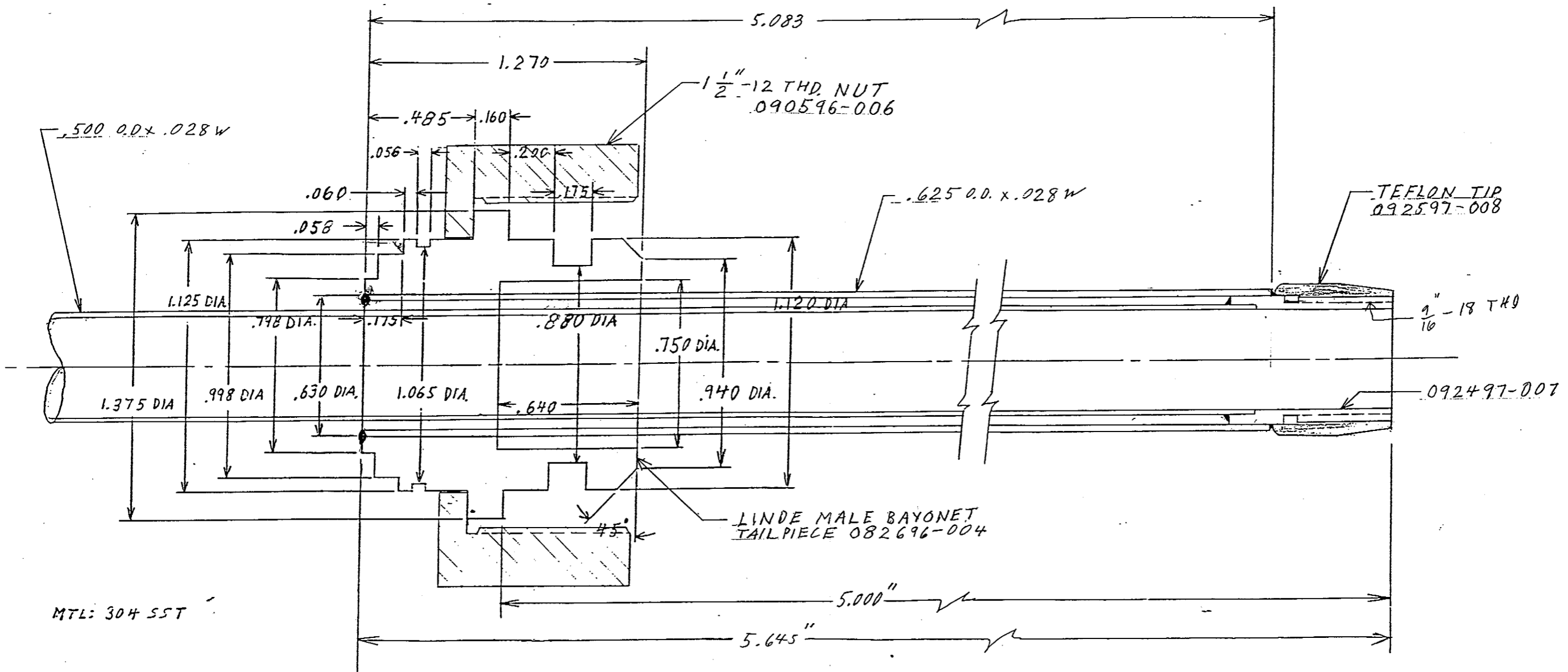
AIRCO GASES

MURRAY HILL, N. J. 07974

OWN.	DATE	CHK.	DATE	APP.	DATE

SCALE:
 SIZE:
 B-26 3993_b 2

0R12



				1/2" x 6" LG. LINDE STYLE
				MALE BAYONET ASSY.
				DWN. BY: <i>F. A. Conklin</i> 6/4/2001
REV.	BY	DESCRIPTION	DATE	SCALE 2:1 DWG. NO. SK 01-035