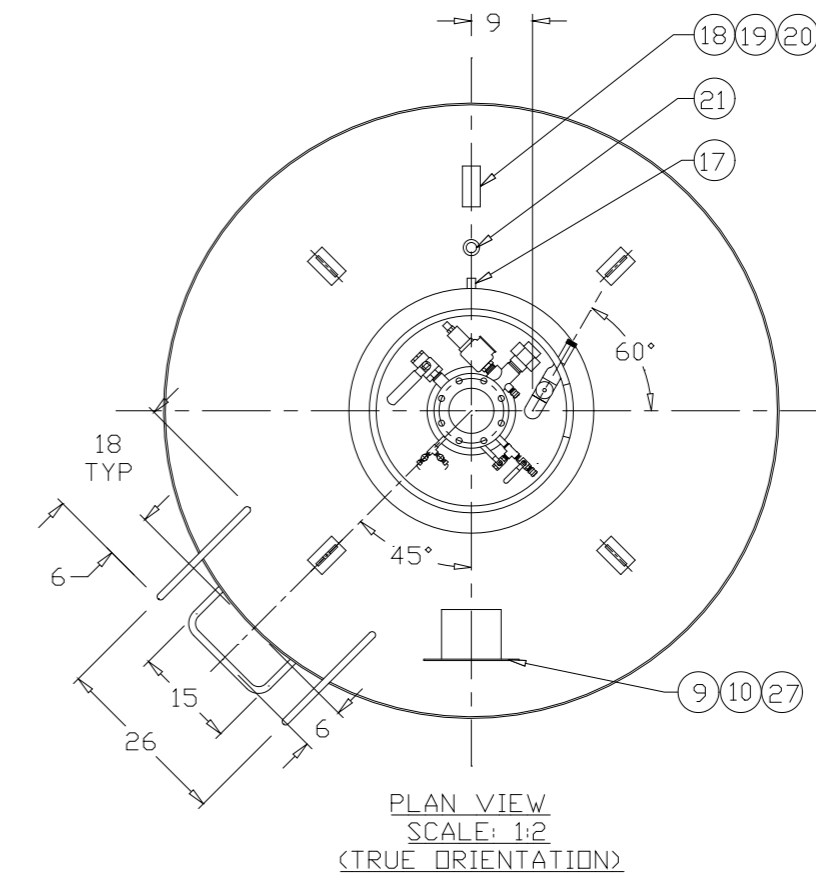
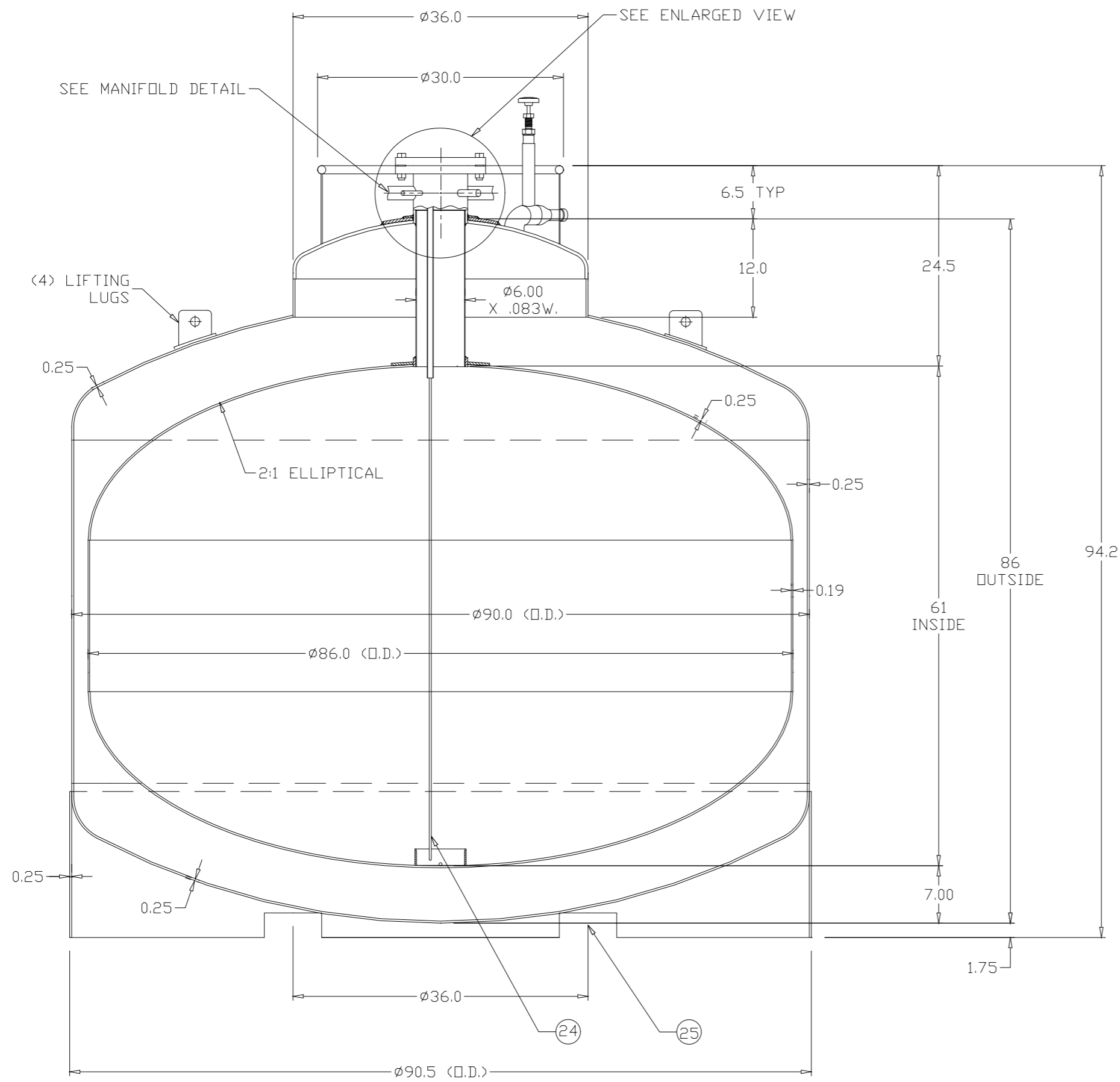
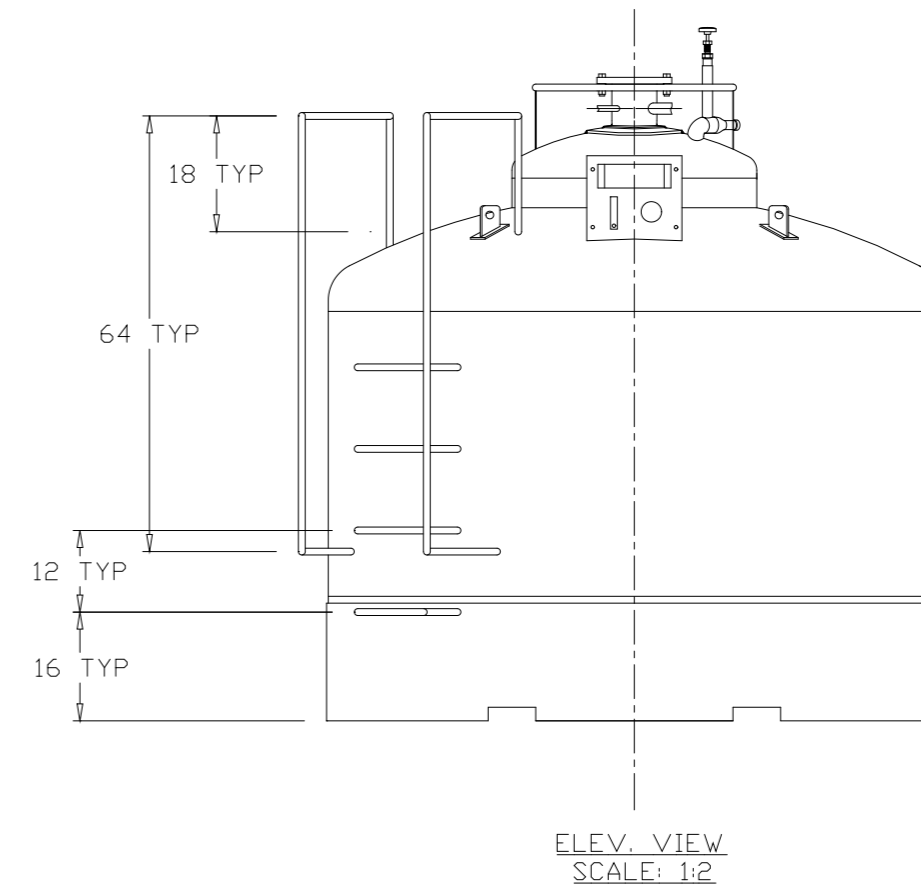


REVISIONS				
ZONE	REV	DESCRIPTION	DATE	APPROVED
	A	INCREASE SKIRT HEIGHT BY 1/2 INCH	12/22/06	
	B	CHANGE LADDER LOCATION & ADD VJ W/D VALVE	02/06/07	



PLAN VIEW  
SCALE: 1:2  
(TRUE ORIENTATION)



ELEV. VIEW  
SCALE: 1:2

NOTES:  
DESIGN PRESSURE : 15 PSIG  
DESIGN TEMP. : -452°F TO 100°F  
MAT'L : SA240 TYPE 304 S/S

THIS DRAWING CONTAINS PROPRIETARY INFORMATION WHICH MUST NOT BE DUPLICATED WITHOUT WRITTEN PERMISSION FROM CRYOFAB, INC.

STANDARD NOTES		CRYOFAB			
UNLESS NOTED OTHERWISE		KENILWORTH, NJ 07033			
ALL DIMENSIONS ARE IN INCHES.		MODEL CMSH 4000			
TOLERANCES ARE:		MULTI-SHIELDED LIQUID HELIUM STORAGE			
.X ± .030		DEWAR, 4,000 LITER CAPACITY			
.XX ± .010		SIZE	FSCM NO.	DWG NO.	REV
.XXX ± .005		C		CMSH-4000	B
ANGLE ± .5		SCALE NTS		SHEET 1 OF 2	
BREAK ALL SHARP EDGES.					
SIGNATURE	DATE				
T.T.	10/11/06				
CHECKED					
APPROVED					