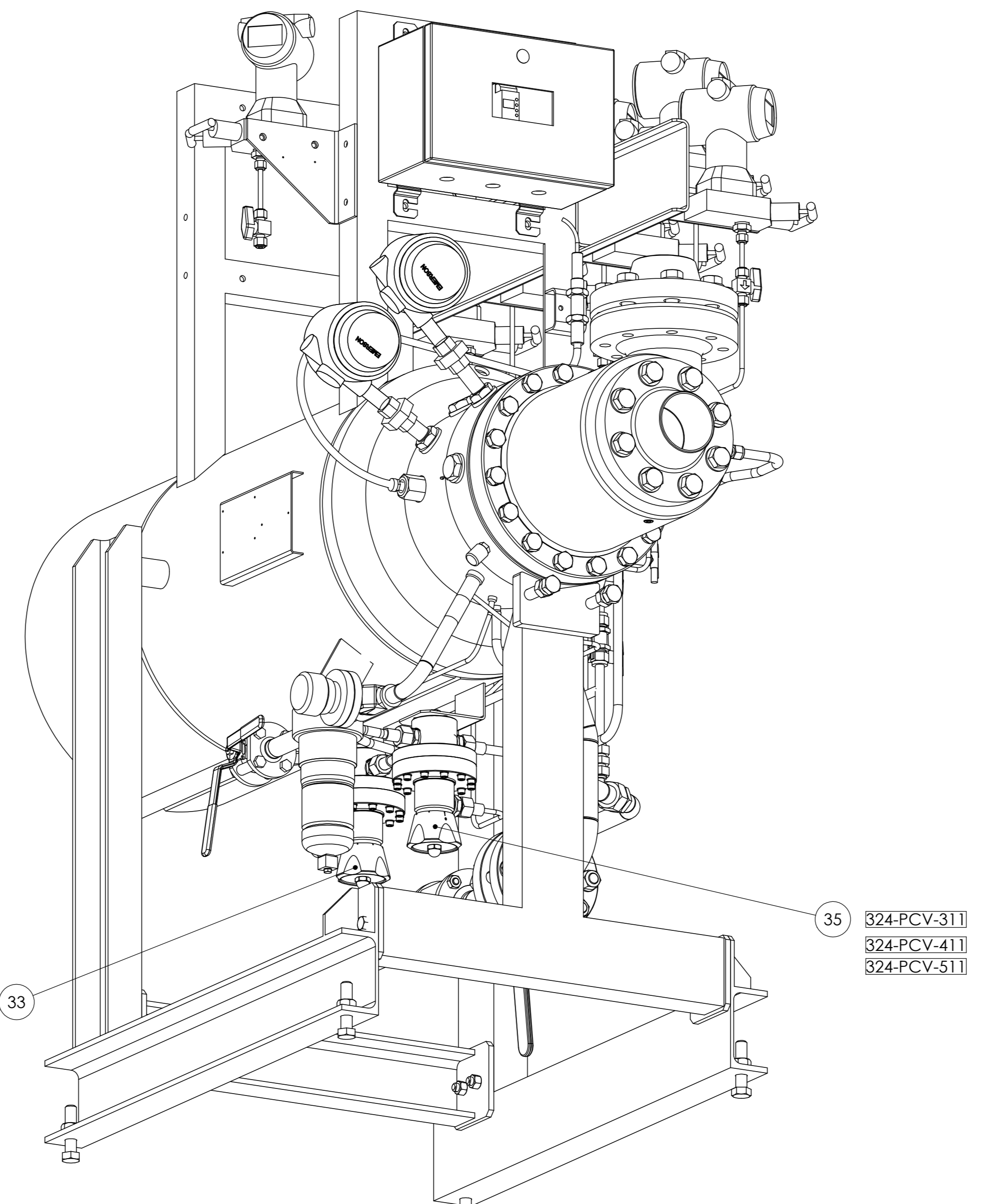
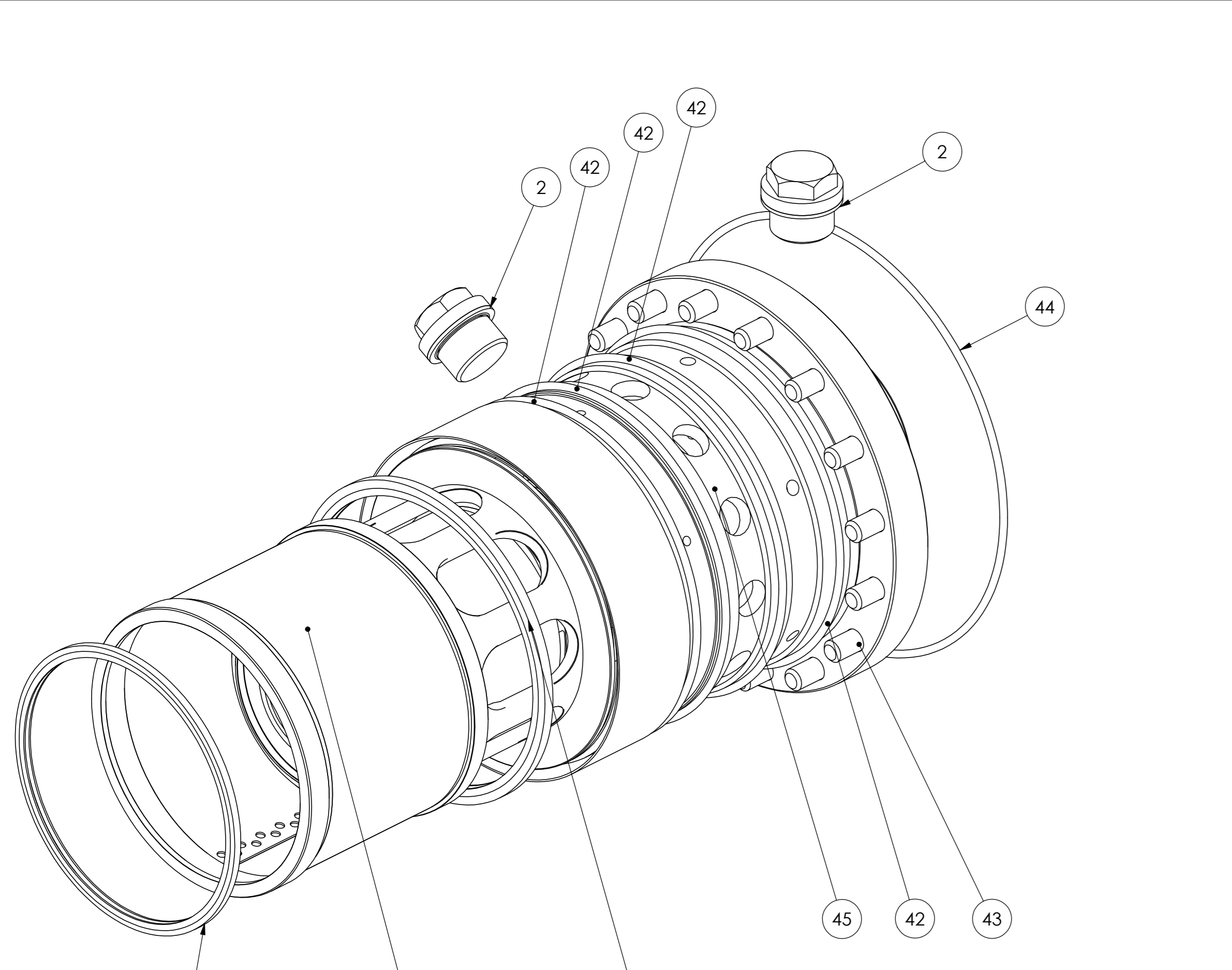
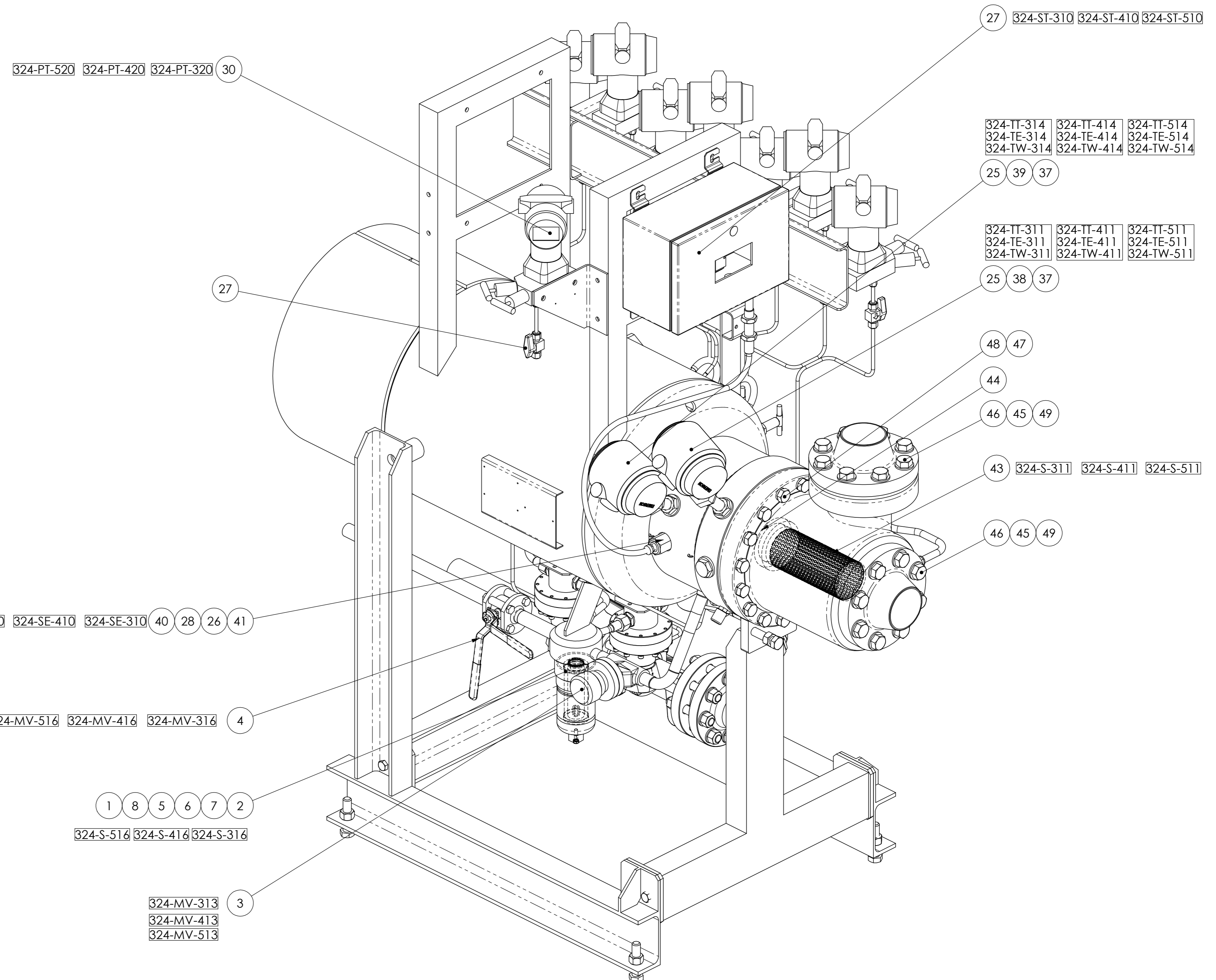
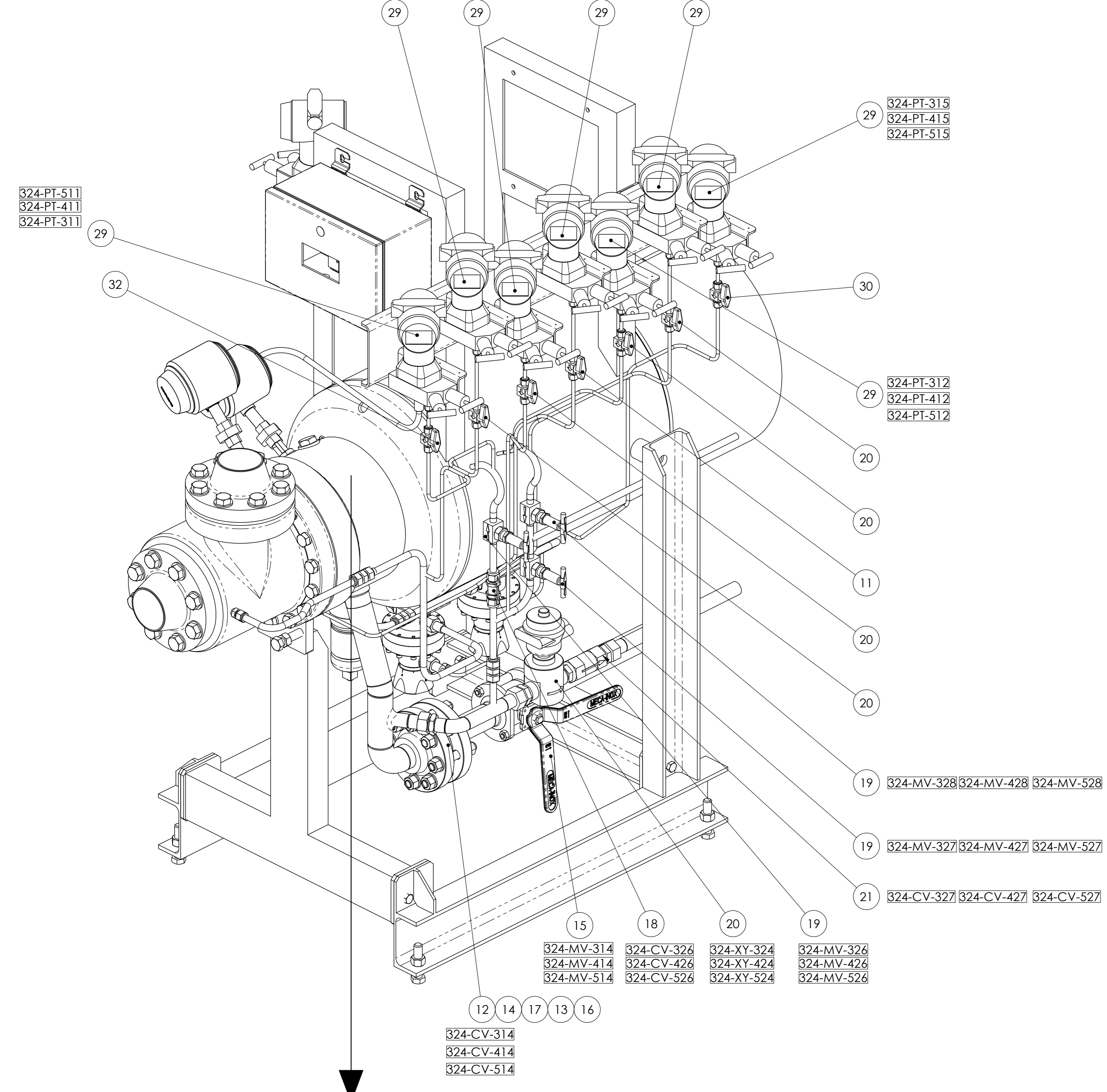


324-PT-516 324-PT-514 324-PT-513 324-PT-519
 324-PT-416 324-PT-414 324-PT-413 324-PT-419
 324-PT-316 324-PT-314 324-PT-313 324-PT-319



NOMENCLATURE SKID TURBINE / TURBINE SKID COMPONENTS BILL

REF / ITEM	TAG NUMBER T3	TAG NUMBER T4	TAG NUMBER T5	SPARE PART TAGS/T4T5	QTE / QTY	DESIGNATION / DESIGNATION	Code article / AL Reference	DN ou NPS / DN or NPS	NORME MATERIE / MATERIAL STANDARD	MATIERE / MATERIAL	COMMENTAIRES / COMMENTS
39				324XT003/324XT004/324XT005	1	Fluorocarb. joint 1180-360-7-2	WJ2009		Fluorocarb.		
40				324XT003/324XT004/324XT005	1	Fluorocarb. joint 1180-439-7-2	WJ2010		Fluorocarb.		
41	324S310	324S410	324S510		1	HP Filter	TE2003		ASME	304L	
42				324XT003/324XT004/324XT005	4	O-ring 180x4	WJT04TP		NBR/OTR1		
43				324XT003/324XT004/324XT005	16	Screw Che M12x30	WVVD013B		A2-70		
44				324XT003/324XT004/324XT005	1	O-ring 236x4	W051681		NF T 47-503	PPMB0	
45					1	Cambride	C489C031A				

NOMENCLATURE SKID TURBINE / TURBINE SKID COMPONENTS BILL

REF / ITEM	TAG NUMBER T3	TAG NUMBER T4	TAG NUMBER T5	SPARE PART TAGS/T4T5	QTE / QTY	DESIGNATION / DESIGNATION	Code article / AL Reference	DN ou NPS / DN or NPS	NORME MATERIE / MATERIAL STANDARD	MATIERE / MATERIAL	COMMENTAIRES / COMMENTS
1	324S316	324S416	324S516		1	Flame filter	C4444015A			304L	
2	324S316	324S416	324S516		1	Filter holder	C4444014A		ASME	SATB2 F304L	
3	324MV313	324MV413	324MV513		1	Belows valve	W112291		ASME	316L	
4	324MV316	324MV416	324MV516		1	Manual ball valve	W113353		ASME	316L	
5	324S316	324S416	324S516		1	Technic air filter KO30AA	WFD001				
6	324S316	324S416	324S516		1	Spine H M16x5	WV10028		ISO 3006-1	A2-70	
7	324S316	324S416	324S516		1	Ring BS A6	WJ2809				
8	324S316	324S416	324S516		1	O-ring 69.52x2.62	WJT086P		NF T 47-503	NBR/OTR1	
9	324CV314	324CV414	324CV514		1	Check valve GMI DIRIS DN50	W1001807			316L	
10				324XT003/324XT004/324XT005	16	"Au H 58"	W001691		ASTM	A194 Gr B	
11				324XT003/324XT004/324XT005	8	Threaded rod 58"	W024265		ASTM	A 193 BS G12	
12	324MV314	324MV414	324MV514		1	Manual ball valve	W113354	1 1/2		316L	
13				324XT003/324XT004/324XT005	2	O-ring 88.27x5.33	W1001756		NF T 47-503	NBR/OTR2	
14				324XT003/324XT004/324XT005	16	Plan washer Z16	W002489		NF EN ISO 3006-1	A2-70	
15	324MV326	324MV426	324MV526		1	Poppet Check valve	W110607	1/2"OD		316L	
16	324MV326	324MV426	324MV526		3	Belows seated valve SS-68K-TW	W03038			316L	
17	324XY324	324XY424	324XY524		1	Solenoid valve	W112248			316L	
18	324CV327	324CV427	324CV527		1	Check valve Swagelok NPTF	W112243	1/4"		316L	
19	324T311 / 324T311	324T411 / 324T411	324T511 / 324T511		2	temperature sensor F120+130C	W112020				
20	324S310	324S410	324S510		1	Light gauge TIPPENPETER S.O	W104408				
21	324S310	324S410	324S510		1	Converter for TURCK	W104370			316L	
22	324S310	324S410	324S510		1	O/E transformer TIPPENPETER	W104369				
23	324PT311 / 324PT312 / 324PT313 / 324PT314 / 324PT315 / 324PT316	324PT411 / 324PT412 / 324PT413 / 324PT414 / 324PT415 / 324PT416	324PT511 / 324PT512 / 324PT513 / 324PT514 / 324PT515 / 324PT516		7	Pressure transmitter 0-30 bar URL138	W112240				
24	324PCV309	324PCV409	324PCV509		1	Pressure transmitter URL138	W112240			304L	
25	324PCV316	324PCV416	324PCV516		1	Pressure control valve D338 IMF	W111384			304L	
26	324PCV311	324PCV411	324PCV511		1	Pressure control valve D338 IMF	W111384			304L	
27				324XT003/324XT004/324XT005	5	BS ring CS33	WJ2002		ASME	NBR88	
28	324T311	324T411	324T511		1	Thermoc CP	D4444E022A			304L	
29	324T314	324T414	324T514		1	Thermowell	D4444E025A		NF EN 10088-1	1.4301 A307	
30				324XT003/324XT004/324XT005	1	Plate joint CAPRI CODICE	WJ09029			Nicképne	
31	324S310	324S410	324S510		1	Counting probe assembly	C4444E105A				
32	324S311	324S411	324S511		1	Filter	TF3027			304L	
33				324XT003/324XT004/324XT005	1	Cooler tightness joint	T001F020A			Shicone	
34				324XT003/324XT004/324XT005	16	Plan washer type 2 M20	WV09020		NF E 25-514	A 193 Gr B8	
35				324XT003/324XT004/324XT005	16	Screw H M16x75	W002075				
36				324XT003/324XT004/324XT005	16	Plan washer Z16	W002489		NF E 25-514	A4	
37				324XT003/324XT004/324XT005	16	Screw H M16x75	W002485		ISO 4017	A 193 Gr B8	
38				324XT003/324XT004/324XT005	2	Spiral wound gasket 300 Lbs	W08147	3"	ASME B16.20	INCONEL	

REVISIONS

REV	DATE	DESCRIPTION	CRN	AUTH	CHK	APP
01						

AIR LIQUIDE RAS LAFFAN HELIUM 2 RECOVERY PROJECT (HERU)
RasGas
TURBOPACK TC6-500
324XT003/324XT004/324XT005
EPL ASM. EQUIPPED CASING

JOB NAME: RHEA
 JOB NUMBER: 51-3428
 DRAWING NUMBER: RVC-CHAMPAGNY
 SHEET: 1/1

BY: ALD
 DATE: 01/01/10
 DEPARTMENT: ALTA
 AUTHOR: ALD
 NAME: ALD
 SCALE: 1:5
 AD: ALD