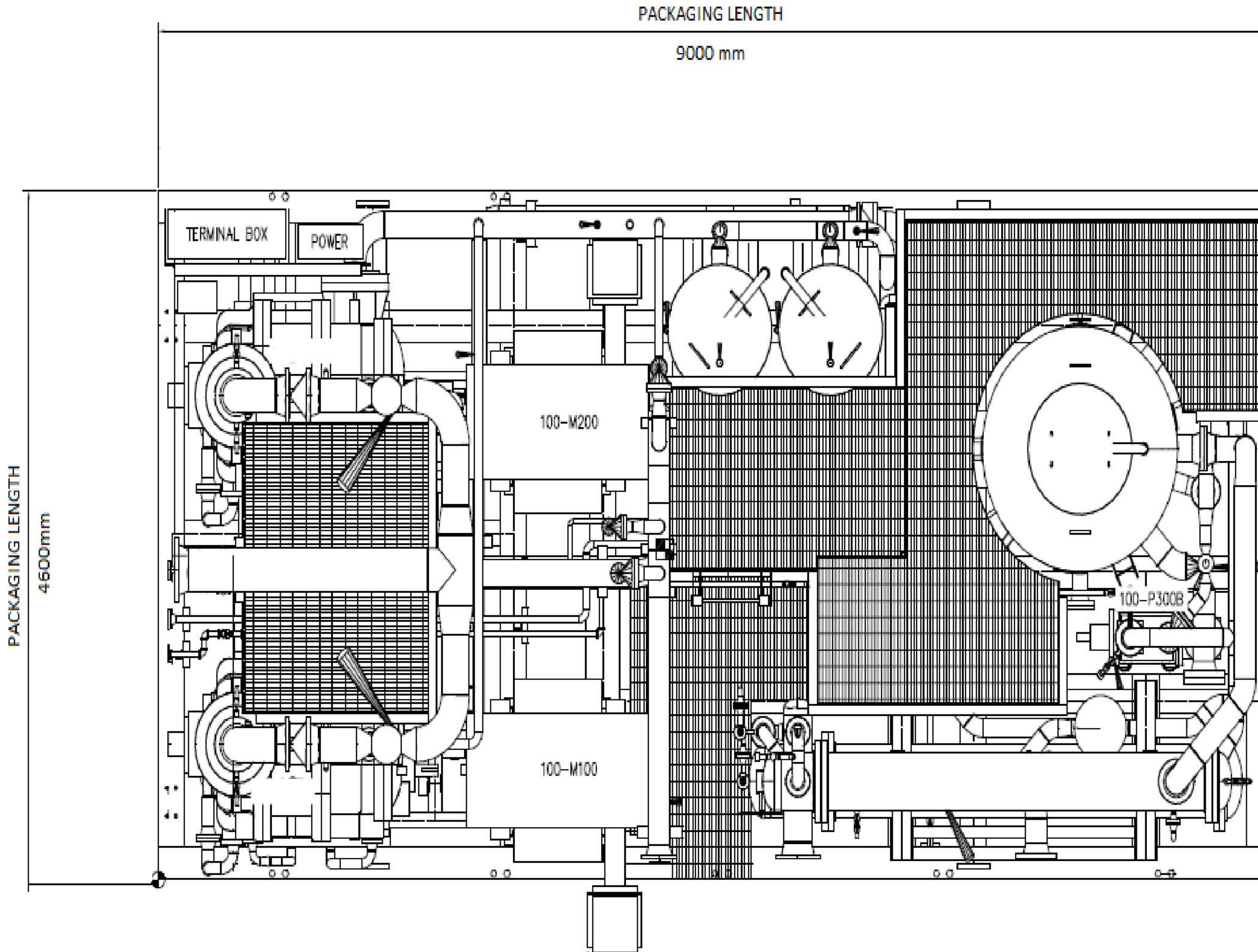


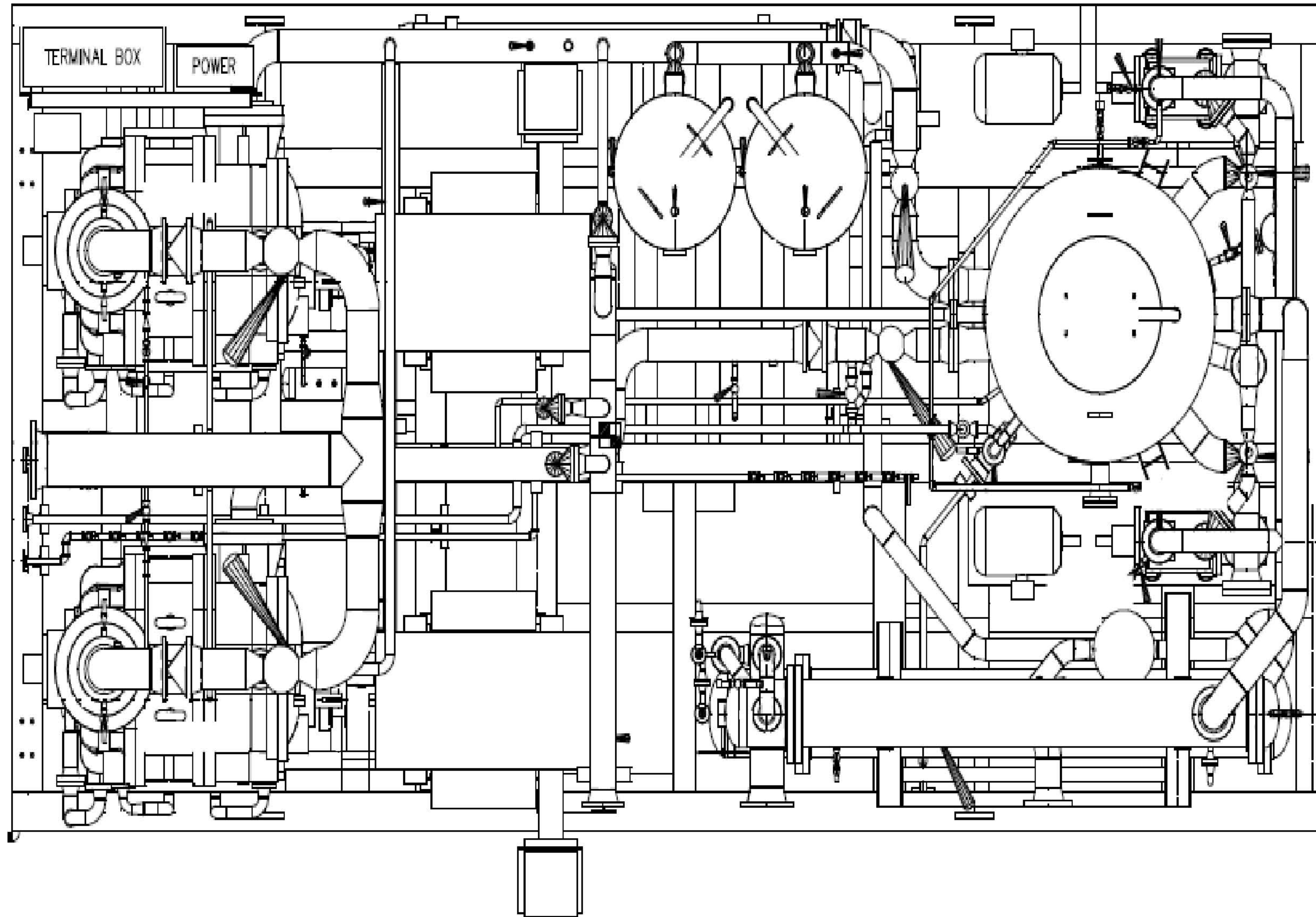
THE INFORMATION CONTAINED HEREIN IS THE CONFIDENTIAL PROPERTY OF ENERFLEX ENERGY SYSTEMS, A TORONTO INDUSTRIES COMPANY, AND IS NOT FOR PUBLICATION, AND NO PART THEREOF SHALL BE COPIED OR COMMUNICATED TO A THIRD PARTY WITHOUT AUTHORIZATION FROM ENERFLEX ENERGY SYSTEMS.



**FOR  
BID PURPOSES  
ONLY**  
NAME \_\_\_\_\_ DATE \_\_\_\_\_

	DATE	SCALE	None	<b>AIR LIQUIDE</b> <small>TECHNIQUES AVANCEES</small>	<b>ENERFLEX</b> TYPICAL COMPRESSOR GENERAL ARRANGEMENT
	DRAWN BY	CHECKED BY	APPROVED BY		
	CUST PO				
1	BID PURPOSES	DATE	BY	APR	STEP CODE
REV	DESCRIPTION	DATE	BY	APR	STEP CODE
	DWG NO	Q3140111-204	SHT	1 OF 3	REV 1

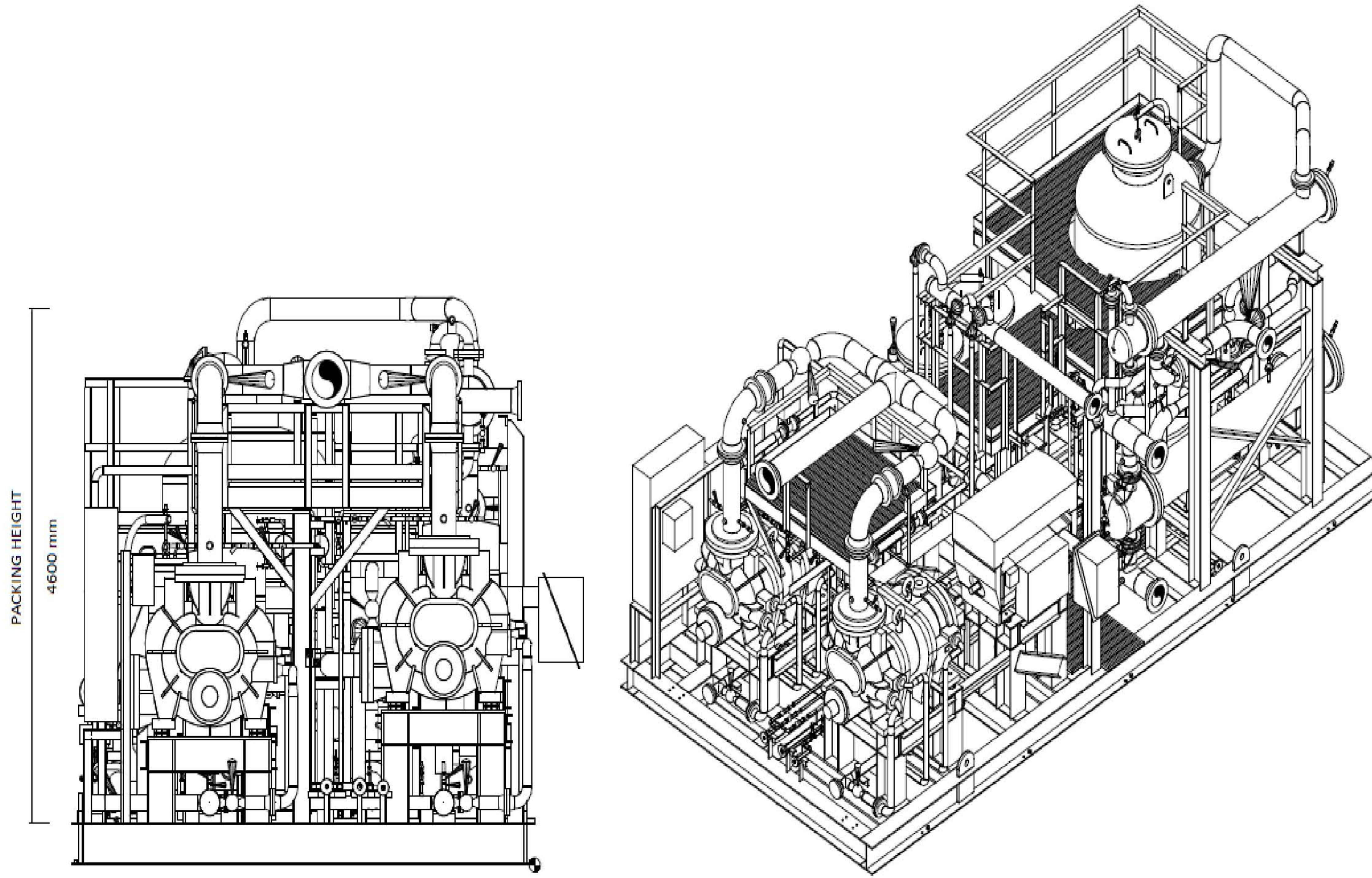
THE INFORMATION CONTAINED HEREIN IS THE CONFIDENTIAL PROPERTY OF ENERFLEX ENERGY SYSTEMS, A TORONTO, ONTARIO COMPANY, AND IS NOT FOR PUBLICATION, AND NO PART THEREOF SHALL BE COPIED OR COMMUNICATED TO A THIRD PARTY WITHOUT AUTHORIZATION FROM ENERFLEX ENERGY SYSTEMS.



**FOR  
BID PURPOSES  
ONLY**  
NAME \_\_\_\_\_ DATE \_\_\_\_\_

	DATE	SCALE	None		<b>AIR LIQUIDE</b> <small>TECHNIQUES AVANCEES</small>	<b>ENERFLEX</b>	TYPICAL COMPRESSOR GENERAL ARRANGEMENT				
	DRAWN BY	CHECKED BY	APPROVED BY								
	CUST PO										
1	BID PURPOSES				STEP CODE	DWG NO	Q3140111-204	SHT	2 OF 3	REV	1
REV	DESCRIPTION				DATE	BY	APR				

THE INFORMATION CONTAINED HEREIN IS THE CONFIDENTIAL PROPERTY OF ENERFLEX ENERGY SYSTEMS, A TORMONT INDUSTRIES COMPANY, AND IS NOT FOR PUBLICATION, AND NO PART THEREOF SHALL BE COPIED OR COMMUNICATED TO A THIRD PARTY WITHOUT AUTHORIZATION FROM ENERFLEX ENERGY SYSTEMS.



ELEVATION C-C

**FOR  
BID PURPOSES  
ONLY**  
NAME \_\_\_\_\_ DATE \_\_\_\_\_

	DATE	SCALE	None		<b>AIR LIQUIDE</b> <small>TECHNIQUES AVANCEES</small>	<b>ENERFLEX</b>	TYPICAL COMPRESSOR GENERAL ARRANGEMENT				
	DRAWN BY	CHECKED BY	APPROVED BY								
	CUST PO										
1	BID PURPOSES				STEP CODE	DWG NO	Q3140111-204	SHT	3 OF 3	REV	1
REV	DESCRIPTION				DATE	BY	APR				

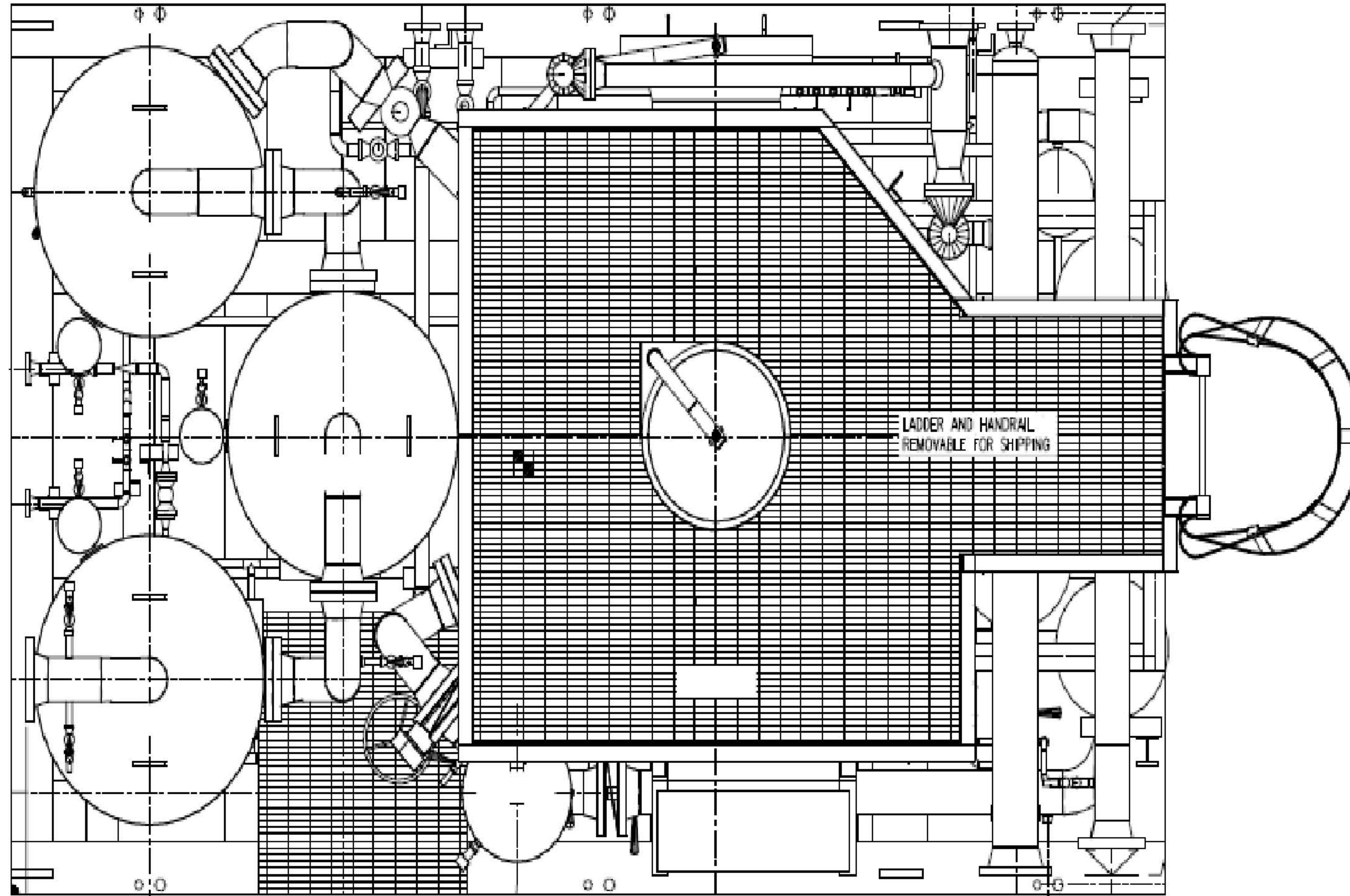
THE INFORMATION CONTAINED HEREIN IS THE CONFIDENTIAL PROPERTY OF ENERFLEX ENERGY SYSTEMS, A TORMONT INDUSTRIES COMPANY, AND IS NOT FOR PUBLICATION, AND NO PART THEREOF SHALL BE COPIED OR COMMUNICATED TO A THIRD PARTY WITHOUT AUTHORIZATION FROM ENERFLEX ENERGY SYSTEMS.

PACKAGE LENGTH

3500 mm

PACKAGE LENGTH

5500 mm



LADDER AND HANDRAIL  
REMOVABLE FOR SHIPPING

**FOR  
BID PURPOSES  
ONLY**  
NAME \_\_\_\_\_ DATE \_\_\_\_\_

REV	DESCRIPTION	DATE	BY	APR
1	BID PURPOSES			

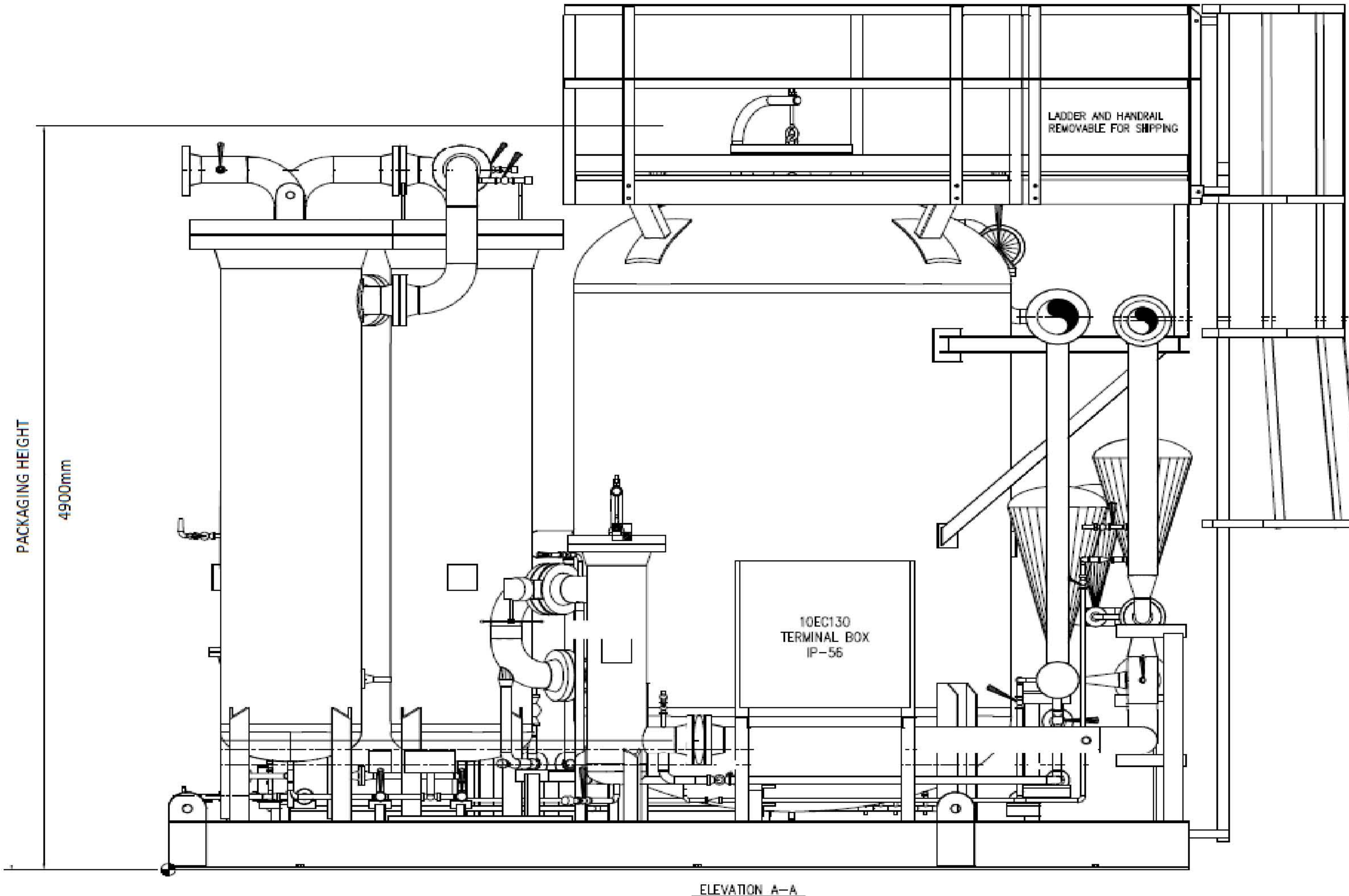
DATE	SCALE	None
DRAWN BY	CHECKED BY	APPROVED BY
CUST PO	-	
STEP CODE		



**ENERFLEX**  
DWG NO Q3140111-203

ORS GENERAL  
ARRANGEMENT  
SHT 1 OF 4 REV 1

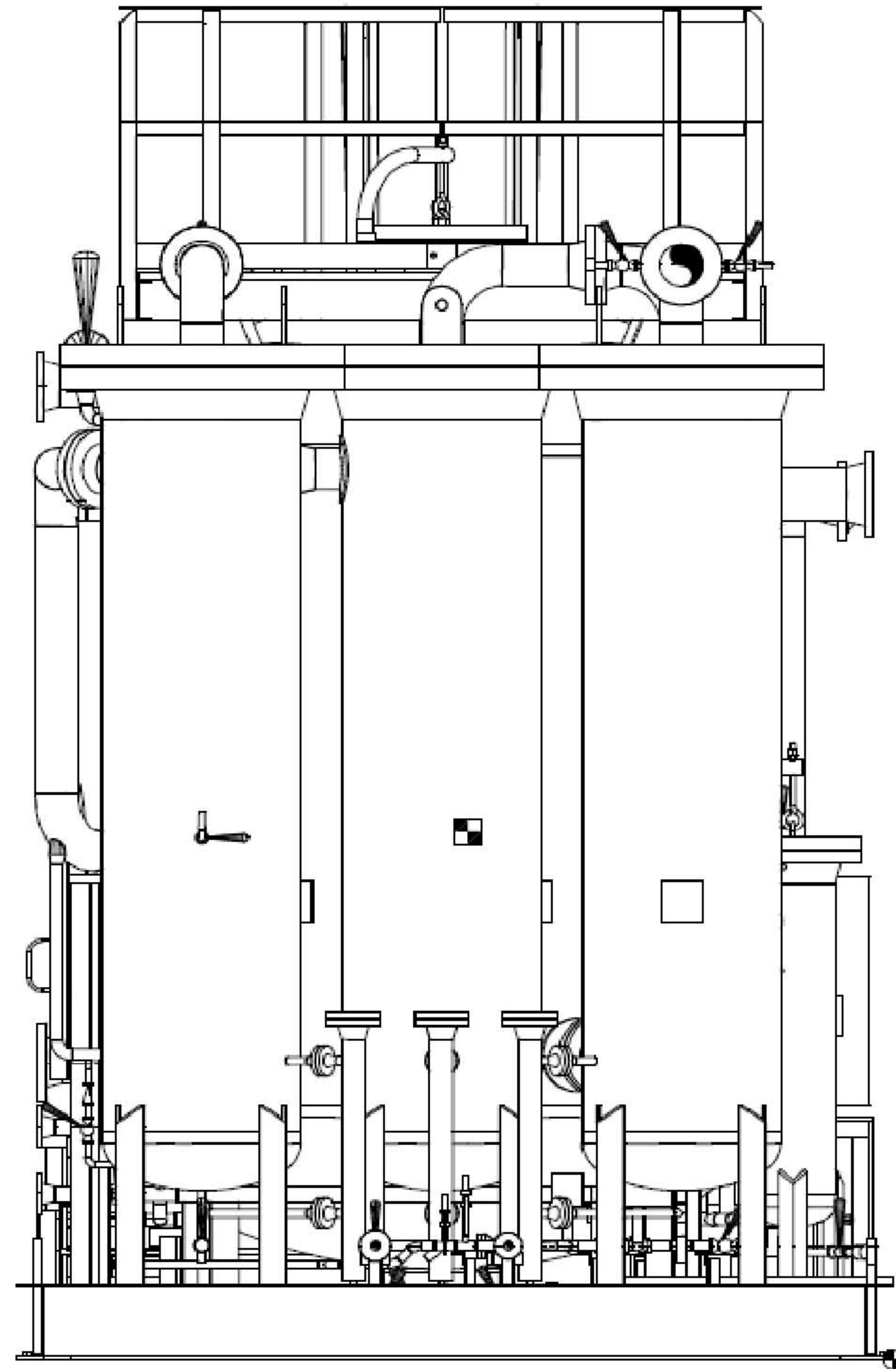
THE INFORMATION CONTAINED HEREIN IS THE CONFIDENTIAL PROPERTY OF ENERFLEX ENERGY SYSTEMS, A TOROMONT INDUSTRIES COMPANY, AND IS NOT FOR PUBLICATION, AND NO PART THEREOF SHALL BE COPIED OR COMMUNICATED TO A THIRD PARTY WITHOUT AUTHORIZATION FROM ENERFLEX ENERGY SYSTEMS.



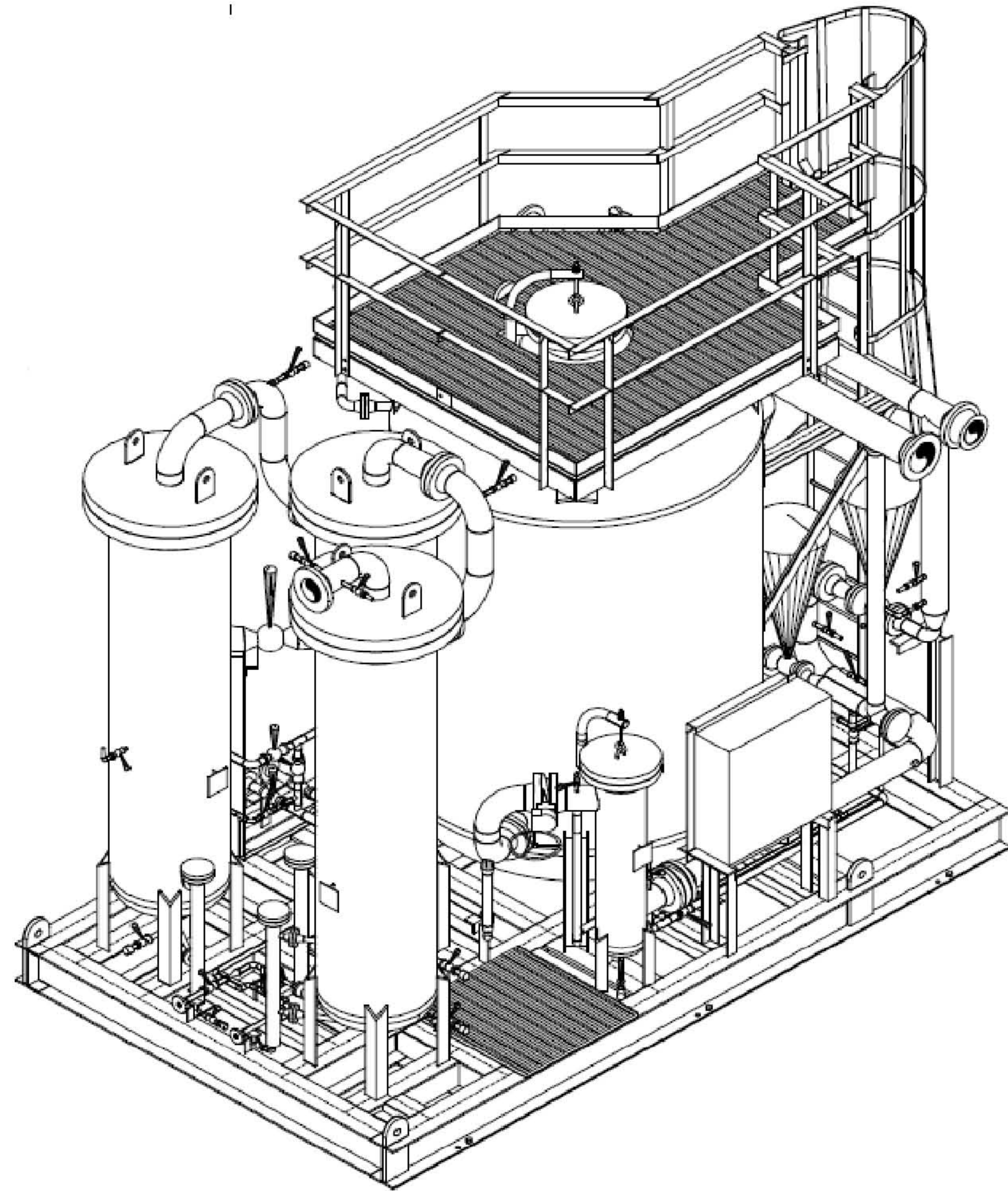
**FOR  
BID PURPOSES  
ONLY**  
NAME \_\_\_\_\_ DATE \_\_\_\_\_

<table border="1" style="width: 100%; border-collapse: collapse;"> <tr> <td style="width: 20%;">DATE</td> <td style="width: 20%;">SCALE</td> <td style="width: 20%;">None</td> </tr> <tr> <td>DRAWN BY</td> <td>CHECKED BY</td> <td>APPROVED BY</td> </tr> <tr> <td colspan="3">CUST PO</td> </tr> </table>				DATE	SCALE	None	DRAWN BY	CHECKED BY	APPROVED BY	CUST PO			<b>ENERFLEX</b> <small>TECHNIQUES AVANCEES</small>		ORS GENERAL ARRANGEMENT							
				DATE	SCALE	None																
DRAWN BY	CHECKED BY	APPROVED BY																				
CUST PO																						
<table border="1" style="width: 100%; border-collapse: collapse;"> <tr> <td style="width: 5%;">1</td> <td style="width: 45%;">BID PURPOSES</td> <td style="width: 10%;">DATE</td> <td style="width: 10%;">BY</td> <td style="width: 10%;">APR</td> </tr> <tr> <th>REV</th> <th>DESCRIPTION</th> <th>DATE</th> <th>BY</th> <th>APR</th> </tr> </table>				1	BID PURPOSES	DATE	BY	APR	REV	DESCRIPTION	DATE	BY	APR	<table border="1" style="width: 100%; border-collapse: collapse;"> <tr> <td style="width: 10%;">STEP CODE</td> <td style="width: 10%;">DWG NO</td> <td style="width: 10%;">Q3140111-203</td> <td style="width: 10%;">SHT</td> <td style="width: 10%;">2 OF 4</td> <td style="width: 10%;">REV</td> <td style="width: 10%;">1</td> </tr> </table>		STEP CODE	DWG NO	Q3140111-203	SHT	2 OF 4	REV	1
1	BID PURPOSES	DATE	BY	APR																		
REV	DESCRIPTION	DATE	BY	APR																		
STEP CODE	DWG NO	Q3140111-203	SHT	2 OF 4	REV	1																

THE INFORMATION CONTAINED HEREIN IS THE CONFIDENTIAL PROPERTY OF ENERFLEX ENERGY SYSTEMS, A TORRONT INDUSTRIES COMPANY, AND IS NOT FOR PUBLICATION, AND NO PART THEREOF SHALL BE COPIED OR COMMUNICATED TO A THIRD PARTY WITHOUT AUTHORIZATION FROM ENERFLEX ENERGY SYSTEMS.



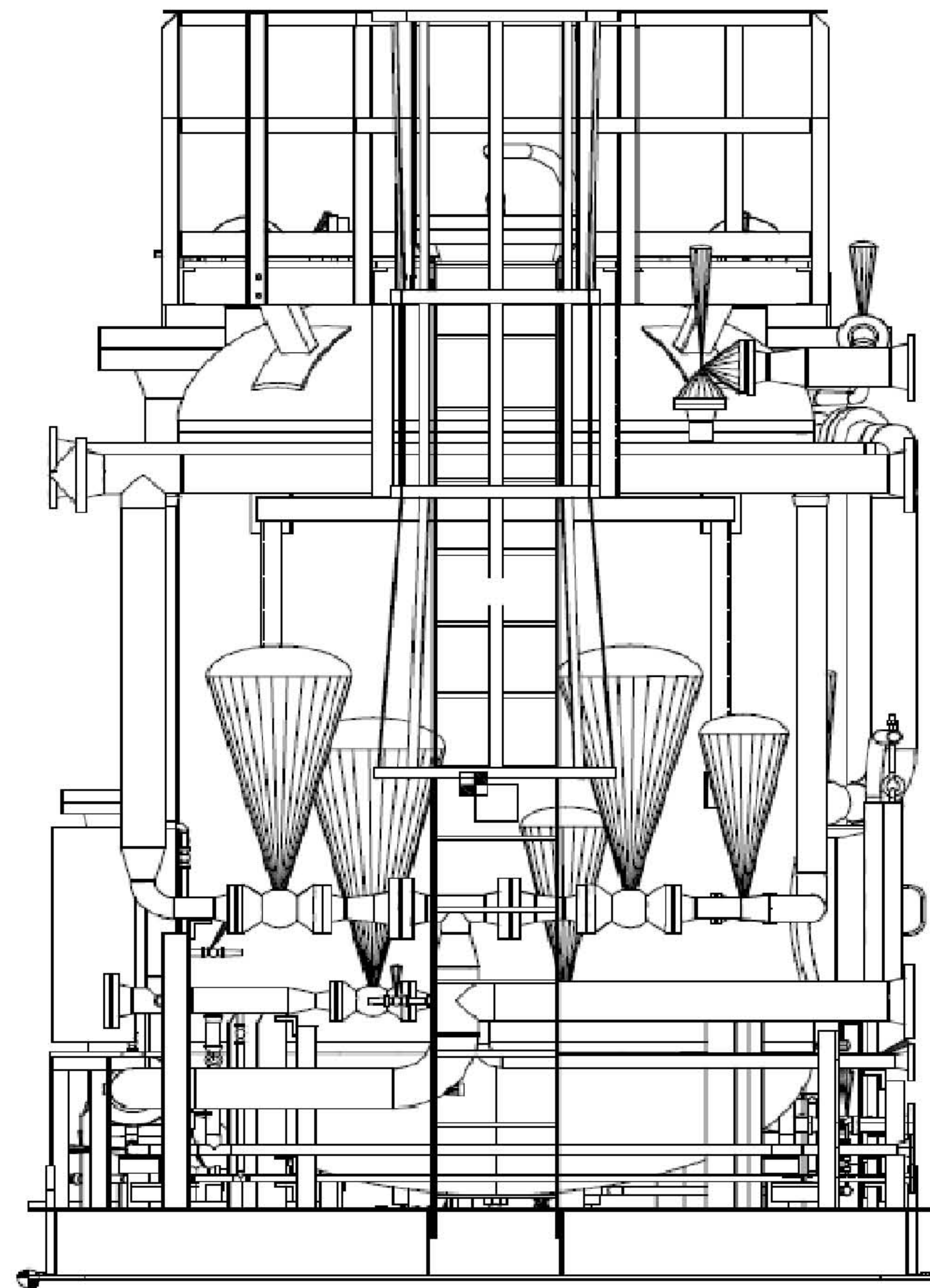
ELEVATION C-C



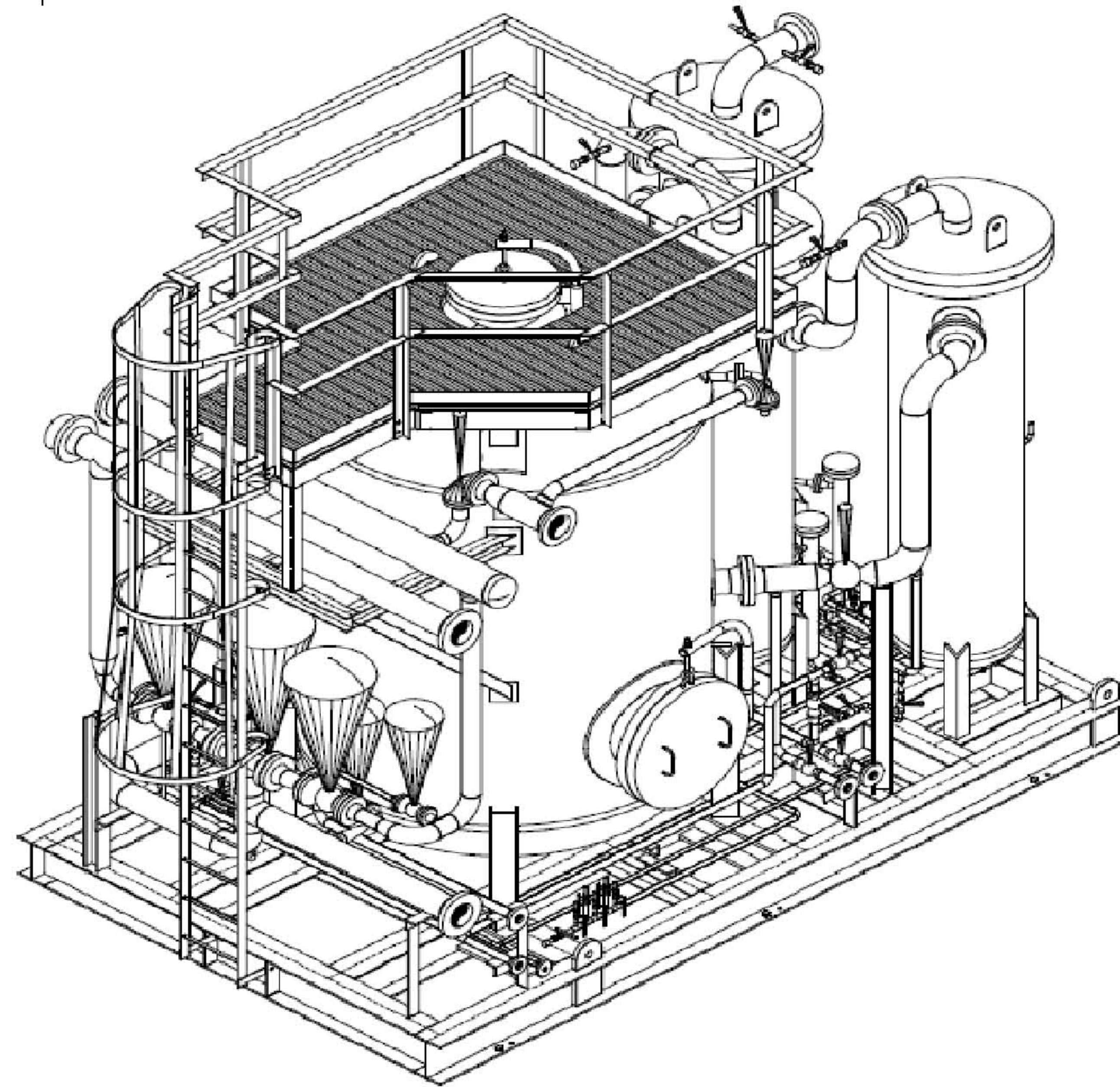
**FOR  
BID PURPOSES  
ONLY**  
NAME \_\_\_\_\_ DATE \_\_\_\_\_

	DATE	SCALE	None	<b>AIR LIQUIDE</b> <small>TECHNIQUES AVANCEES</small>	<b>ENERFLEX</b>	ORS GENERAL ARRANGEMENT	
	DRAWN BY	CHECKED BY	APPROVED BY				
	CUST PO						
1	BID PURPOSES			STEP CODE	DWG NO	Q3140111-203	
REV	DESCRIPTION	DATE	BY	APR	SHT	3 OF 4	REV 1

THE INFORMATION CONTAINED HEREIN IS THE CONFIDENTIAL PROPERTY OF ENERFLEX ENERGY SYSTEMS, A TORRONT INDUSTRIES COMPANY, AND IS NOT FOR PUBLICATION, AND NO PART THEREOF SHALL BE COPIED OR COMMUNICATED TO A THIRD PARTY WITHOUT AUTHORIZATION FROM ENERFLEX ENERGY SYSTEMS.

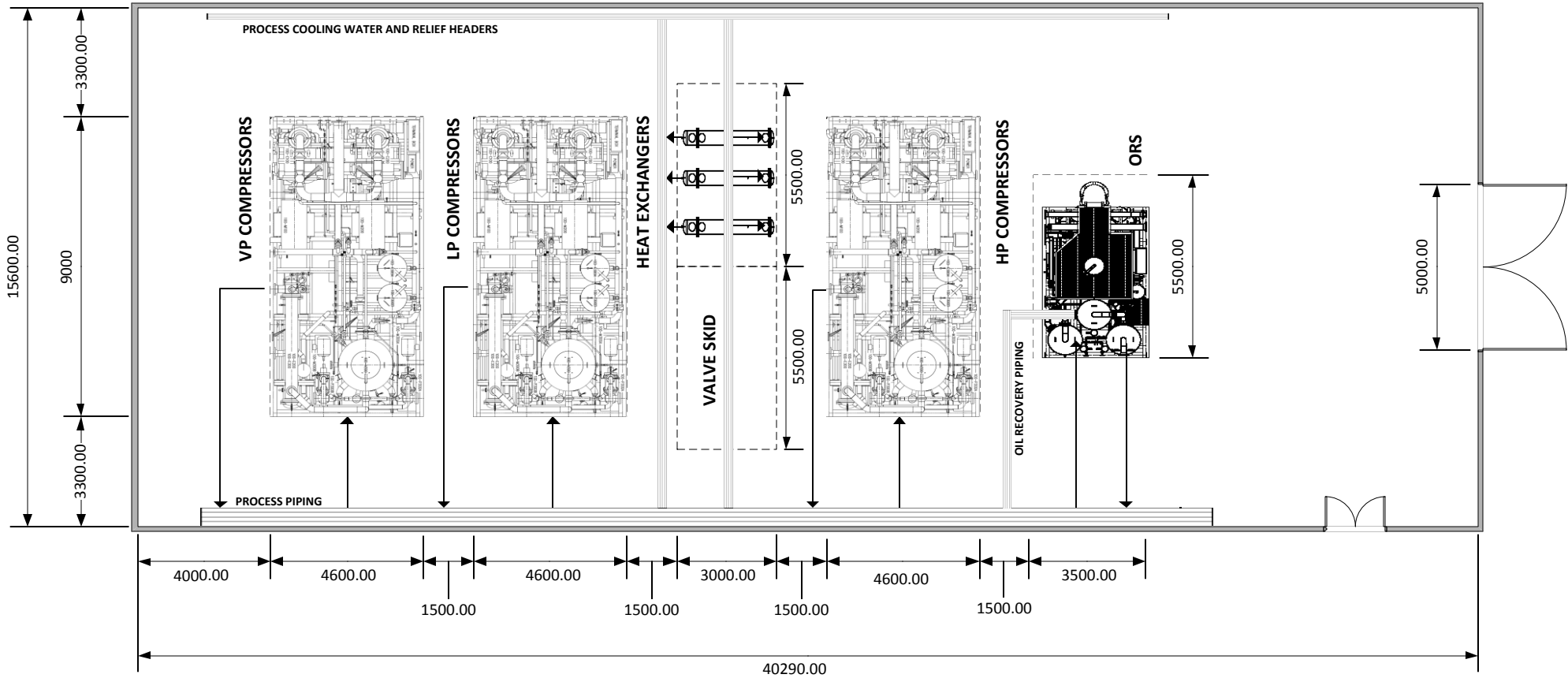


ELEVATION D-D



**FOR  
BID PURPOSES  
ONLY**  
NAME \_\_\_\_\_ DATE \_\_\_\_\_

	DATE	SCALE	None		<b>AIR LIQUIDE</b> <small>TECHNIQUES AVANCEES</small>	<b>ENERFLEX</b>	ORS GENERAL ARRANGEMENT				
	DRAWN BY	CHECKED BY	APPROVED BY								
	CUST PO										
1	BID PURPOSES				STEP CODE	DWG NO	Q3140111-203	SHT	4 OF 4	REV	1
REV	DESCRIPTION	DATE	BY	APR							



**FOR  
BID PURPOSES  
ONLY**

NAME \_\_\_\_\_ DATE \_\_\_\_\_

DATE	SCALE	None
DRAWN BY	CHECKED BY	APPROVED BY
CUST PO	-	
STEP CODE		



PRELIMINARY PLOT  
PLAN HELIUM  
COMPRESSORS

1	BID PURPOSES			
REV	DESCRIPTION	DATE	BY	APR

DWG NO Q3130017-201

SHT 1 OF 1 REV 1